

# Panasonic Broadcast

## AJ-SD930B

# Mechanical Parts List

---

Note:

1. \*Be sure to make your orders of replacement parts according to this list.
2. Unless otherwise specified, all resistors are in OHMS, K=1,000 OHMS, all capacitors are in MICROFARADS ( $\mu\text{F}$ ), P= $\mu\mu\text{F}$ .
3. The P.C. Board unit marked with "■" shown below the main assembled parts.
4. The parts marked with  $\text{\textcircled{E}}$  on the exploded view show the electric parts.
5. IMPORTANT SAFETY NOTICE  
Components identified with the mark  $\Delta$  have the special characteristics for safety. When replacing any of these components, use only the same type.
6. The marking (RTL) indicates the retention time is limited for this item.  
After the discontinuation of this assembly in production, it will no longer be available.
7. "(M)" in Remark column indicates needed in the periodical maintenance.

## CONTENTS

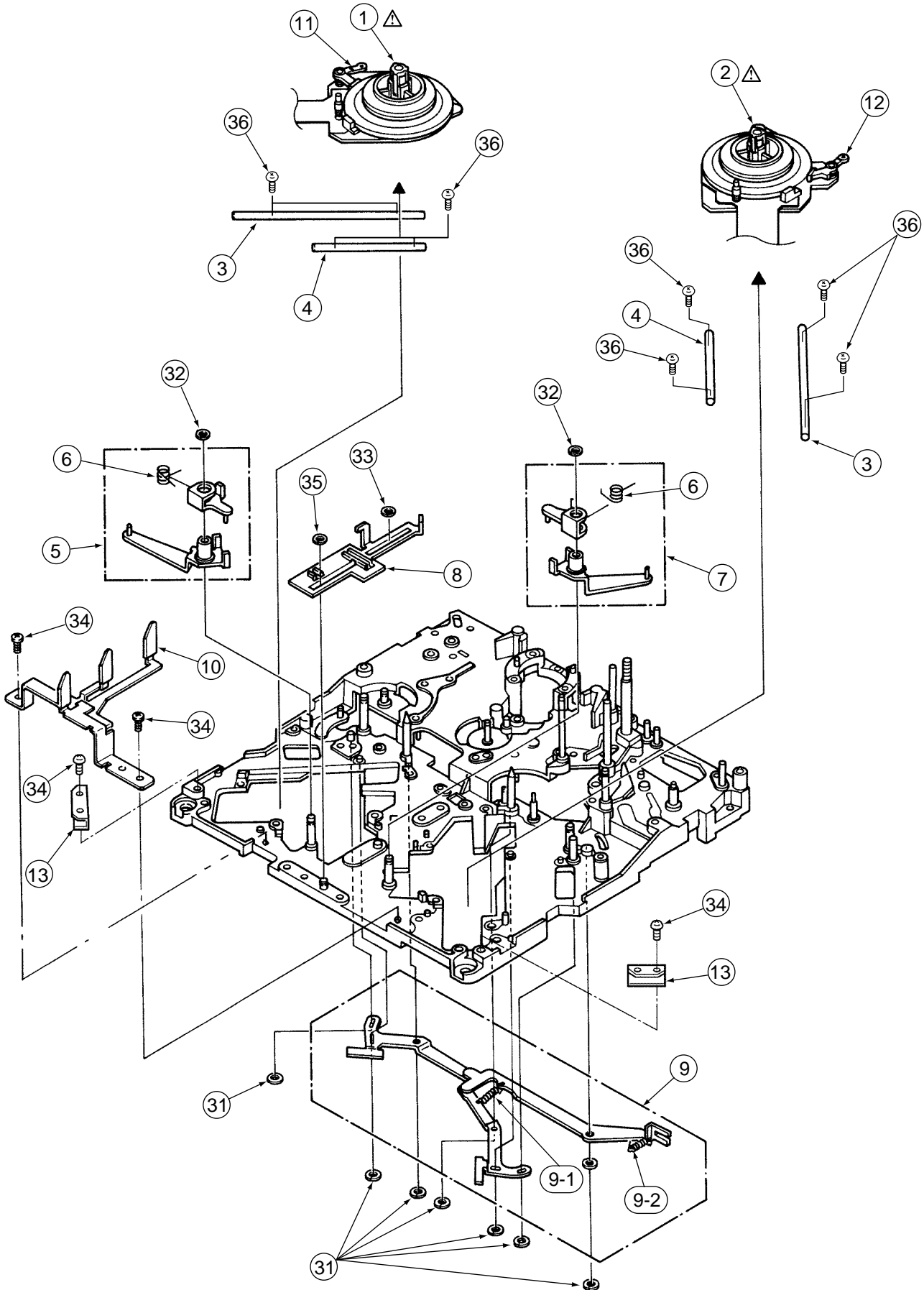
SERVICING FIXTURES & TOOLS .....	PRT-1
MECHANICAL CHASSIS ASSEMBLY (1) .....	PRT-2
MECHANICAL CHASSIS ASSEMBLY (2) .....	PRT-4
SUB CHASSIS ASSEMBLY .....	PRT-6
CASSETTE COMPARTMENT ASSEMBLY .....	PRT-8
CASING PARTS ASSEMBLY .....	PRT-10
FRONT PANEL ASSEMBLY .....	PRT-12
CHASSIS FRAME ASSEMBLY .....	PRT-14
REAR PANEL ASSEMBLY .....	PRT-16
PACKING PARTS ASSEMBLY .....	PRT-18

AJ-SD930P				AJ-SD955AP			
Ref. No.	Parts No.	P.C.Board	Page	Ref. No.	Parts No.	P.C.Board	Page
E1	VEP84383A	F1 AUDIO	PRT-22	E1	VEP84383A	F1 AUDIO	PRT-60
E2	VEP84384A	F2B A PROC	PRT-27	E2	VEP84384A	F2B A PROC	PRT-65
E3	VEP83605A	F3A SDI	PRT-28	E3	VEP83605A	F3A SDI	PRT-66
E4	VEP83596B	F4 REC PB	PRT-29	E4	VEP83596C	F4 REC PB	PRT-67
E5	VEP83597B	F5 V OUT	PRT-33	E5	VEP83597C	F5 V OUT	PRT-71
E6	VEP86326B	F6 SYSCON	PRT-36	E6	VEP86326C	F6 SYSCON	PRT-74
E7	VEP82246B	F7 SERVO	PRT-39	E7	VEP82246C	F7 SERVO	PRT-77
E8	VEP85207A	F8 RF EQ	PRT-43	E8	VEP85207A	F8 RF EQ	PRT-81
E9	VEP85208A	RF CUE	PRT-50	E9	VEP85208A	RF CUE	PRT-88
E10	VEP80C41A	MOTHER	PRT-53	E10	VEP80C41A	MOTHER	PRT-91
E11	VEP82239A	MECHA IF	PRT-54	E11	VEP82239A	MECHA IF	PRT-92
E12	VEP82247A	MECHA IF 2	PRT-54	E12	VEP82247A	MECHA IF 2	PRT-92
E13	VEP81221C	POWER 1	PRT-54	E13	VEP81221C	POWER 1	PRT-92
E14	VEP81222A	POWER 2	PRT-56	E14	VEP81222A	POWER 2	PRT-94
E15	VEP80C40A	AV JACK	PRT-56	E15	VEP80C40A	AV JACK	PRT-94
E16	VEP86327A	FRONT	PRT-57	E16	VEP86327B	FRONT	PRT-95
E17	VEP80C43A	FRONT SUB	PRT-59	E17	VEP80C43A	FRONT SUB	PRT-97
E18	VEP80C42A	EJECT	PRT-59	E18	VEP80C42A	EJECT	PRT-97
E19	VEP80856A	CARRIGE	PRT-59	E19	VEP80856A	CARRIGE	PRT-97



# MECHANICAL CHASSIS ASSEMBLY (1)

Components identified with the mark  $\triangle$  have the special characteristics for safety.  
When replacing any of these components, use only the same type.



PRT-2





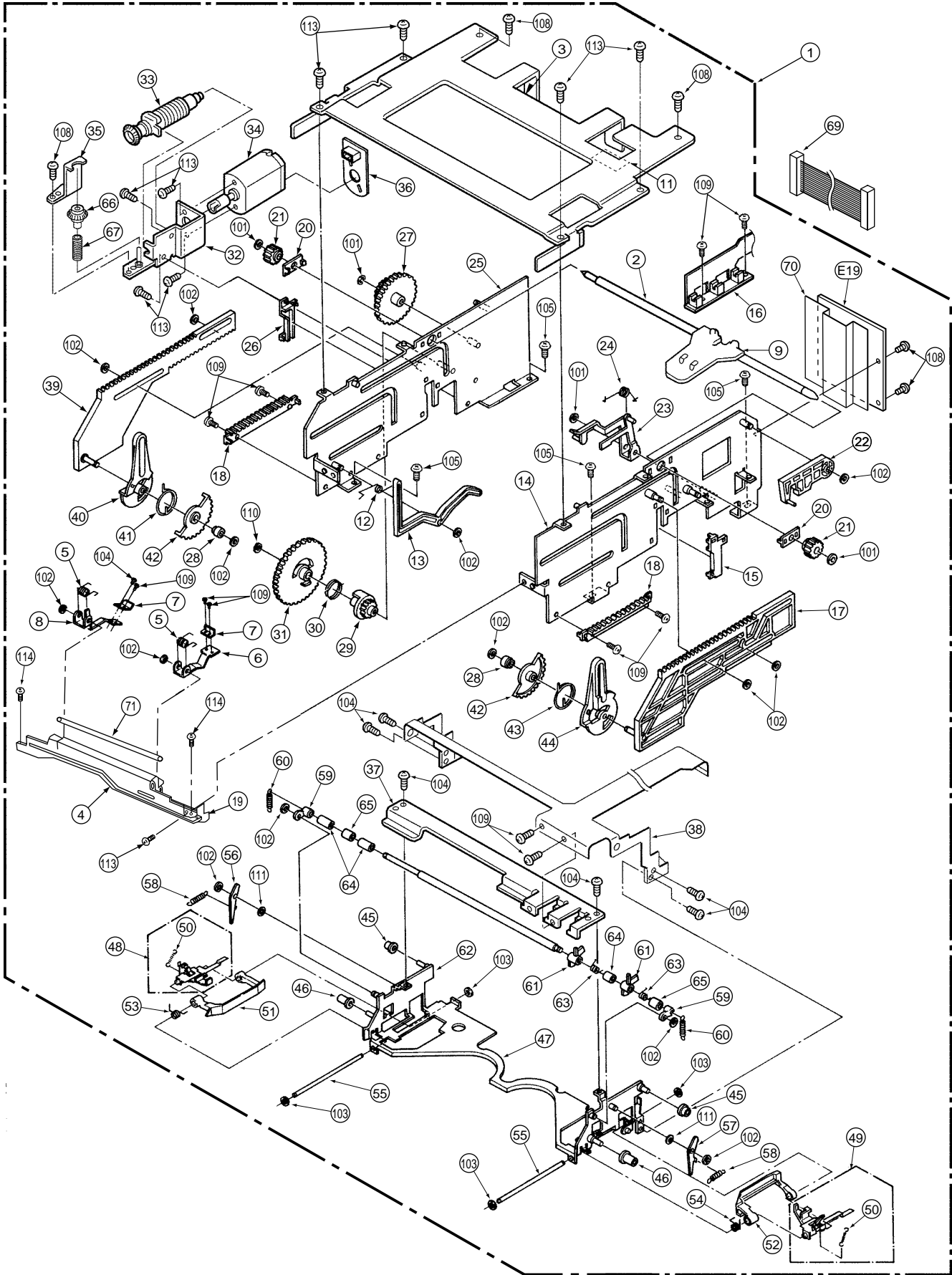








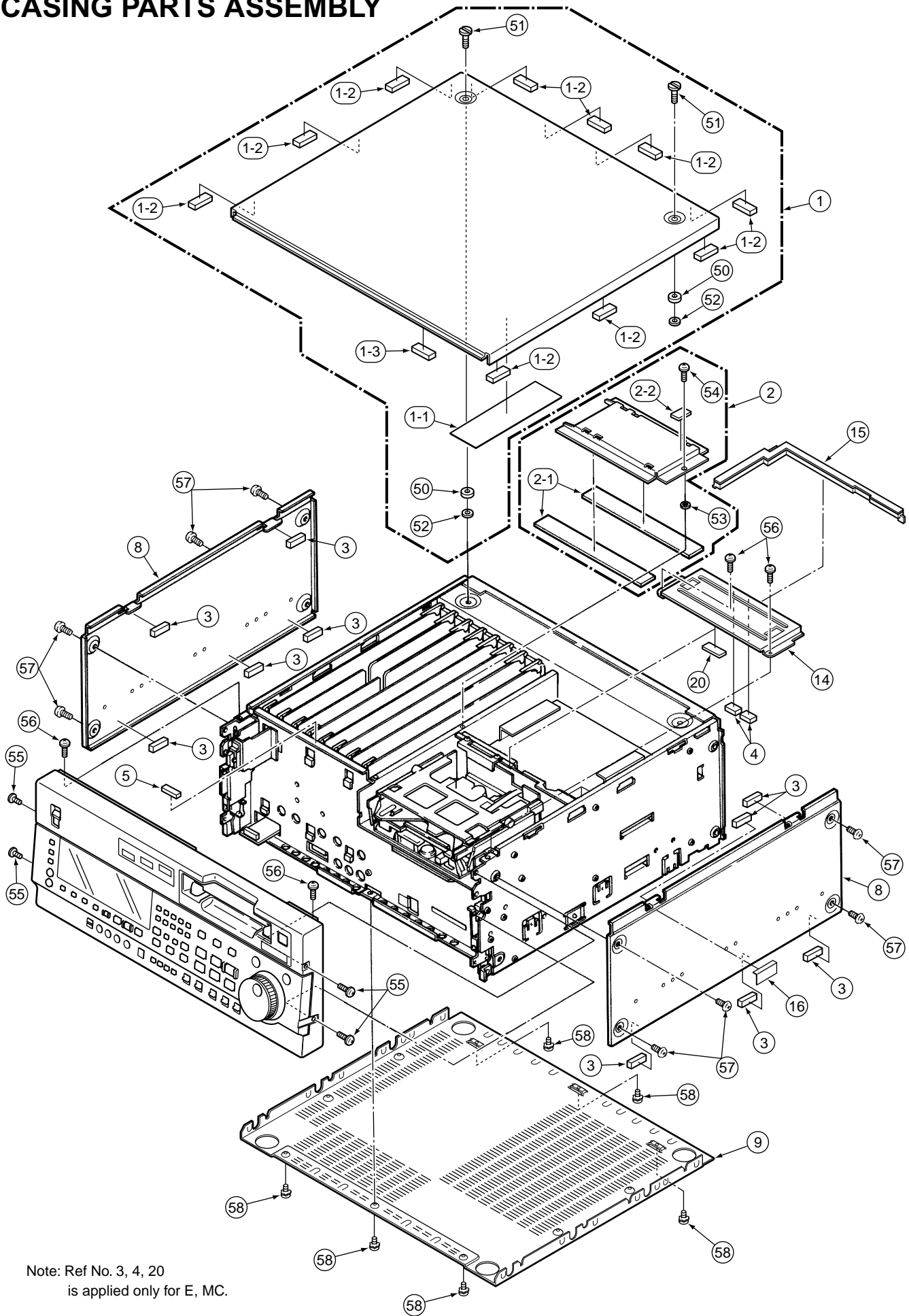
# CASSETTE COMPARTMENT ASSEMBLY



# CASSETTE COMPARTMENT ASSEMBLY

Ref.No.	Part No.	Part Name & Description	Pcs	Remarks	Ref.No.	Part No.	Part Name & Description	Pcs	Remarks
1	VXA7347	FRONT LOADING ASS'Y	1	(M)	103	VMX1061	WASHER	4	
2	VMS5865	MAIN SHAFT	1		104	XQN16+A2	SCREW	7	
3	VMA9849	TOP PLATE	1		105	XQN2+C4	SCREW	4	
4	VMA0M72	FRONT GUIDE 1 ASS'Y	1		108	XQN2+A3	SCREW	5	
5	VMB3075	M GUIDE SPRING	2		109	LMHD16064	SCREW	11	
6	VML3191	M GUIDE RIGHT LEVER	1		110	XUC25FP	E-RING	1	
7	VML3192	M FRONT GUIDE	2		111	XWGV2Z5G	WASHER	2	
8	VML3190	M GUIDE LEFT LEVER	1		113	VHD1323	SCREW	9	
9	VML3397	CASSETTE PROTECT PLATE	1		114	XYN2+K4	SCREW	2	
11	VMZ3233	FPC PROTECTOR	1						
12	VMB2926	SPRING	1						
13	VML2A50	BLINDER PANEL OPENER	1		E19	VEP80856A	CARRIGE P.C.BOARD	1	
14	VXA7355	R SIDE PLATE 1 ASS'Y	1						
15	VML3282	SUB RAIL (R)	1						
16	VEK7695	SIDE FLEXIBLE	1						
17	VXA5766	MAIN RACK R ASS'Y	1						
18	VDG1156	WIPER RACK	2						
19	VMZ3259	FPC COVER	1						
20	VDB1395	MAIN SHAFT ANGLE	2						
21	VDG1412	INTERLOCK GEAR	2						
22	VML3193	OPENER DRIVE ARM	1						
23	VXL2692	OPENER ANGLE ASS'Y	1						
24	VMB2979	SPRING	1						
25	VXA7353	SIDE PLATE L 1 ASS'Y	1						
26	VML3281	SUB RAIL (L)	1						
27	VDG1413	INTERMEDIATE GEAR	1						
28	VDP1643	WIPER ROLLER	2						
29	VDG1414	CLUTCH GEAR	1						
30	VMB2980	CLUTCH SPRING	1						
31	VDG1236	WORM WHEEL	1						
32	VXA5848	MOTOR ANGLE (A) ASS'Y	1						
33	VXP1797	E.E SLOT IN WORM ASS'Y	1						
34	VXA5597	MOTOR ASS'Y	1	(M)					
35	VMA9673	EMERGENCY ANGLE	1						
36	VEK7793	MOTOR P.C.BOARD	1						
37	VMA9668	HOLDER PLATE	1						
38	VEK7715	HOLDER FLEXIBLE ASS'Y	1						
39	VXA6075	MAIN RACK (L) ASS'Y	1						
40	VML3485	WIPER ARM (R)	1						
41	VMB3390	WIPER SPRING (L)	1						
42	VDG1163	WIPER GEAR	2						
43	VMB3391	WIPER ARM (L)	1						
44	VML3484	WIPER SPRING (R)	1						
45	VDP1642	CASSETTE GUIDE ROLLER (2)	2						
46	VDP1641	CASSETTE GUIDE ROLLER (1)	2						
47	VXA5757	CASSETTE HOLDER 1 ASS'Y	1						
48	VXA5758	ROD L	1						
49	VXA5759	ROD R	1						
50	VMB3064	SLIDE SPRING	2						
51	VML3249	SIDE GUIDE L	1						
52	VML3250	SIDE GUIDE R	1						
53	VMB3061	SLIDE GUIDE SPRING L	1						
54	VMB3062	SLIDE GUIDE SPRING R	1						
55	VMS6108	KICK OFF ROD SHAFT	2						
56	VML2A54	KICK OFF ARM L	1						
57	VML2A55	KICK OFF ARM R	1						
58	VMB2928	KICK OFF SPRING	2						
59	VML2A53	CASSETTE HOLDER ARM	2						
60	VMB2927	CASSETTE HOLDER SPRING	2						
61	VMX2833	M-L DETECT ROLLER	2						
62	VMS5882	CASSETTE HOLDER SHAFT	1						
63	VMB3253	M-L DETECT SPRING	2						
64	VMX2559	CASSETTE PRESSURE ROLLER(2)	3						
65	VMX2524	CASSETTE PRESSURE ROLLER(1)	2						
66	VDG1246	EMERGENCY GEAR	1						
67	VMB3109	EMERGENCY SPRING	1						
69	VEE9577	CABLE	1						
70	VMZ3040	SHIELD PLATE	1						
71	VMS7087	GUIDE LEVER PIN	1						
101	VMX0653	CUT WASHER	4						
102	VMX0967	CUT WASHER	14						

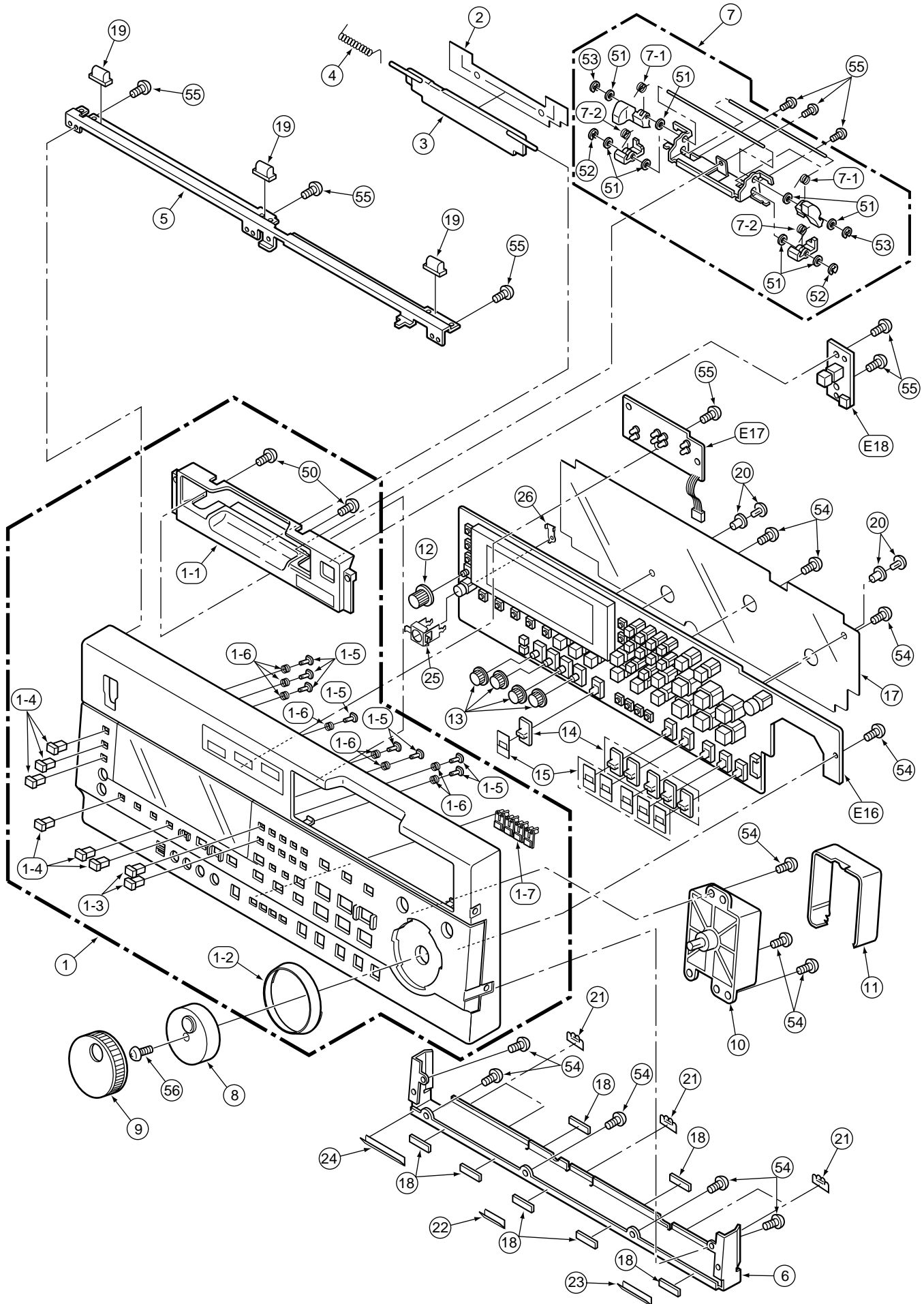
# CASING PARTS ASSEMBLY



Note: Ref No. 3, 4, 20  
is applied only for E, MC.




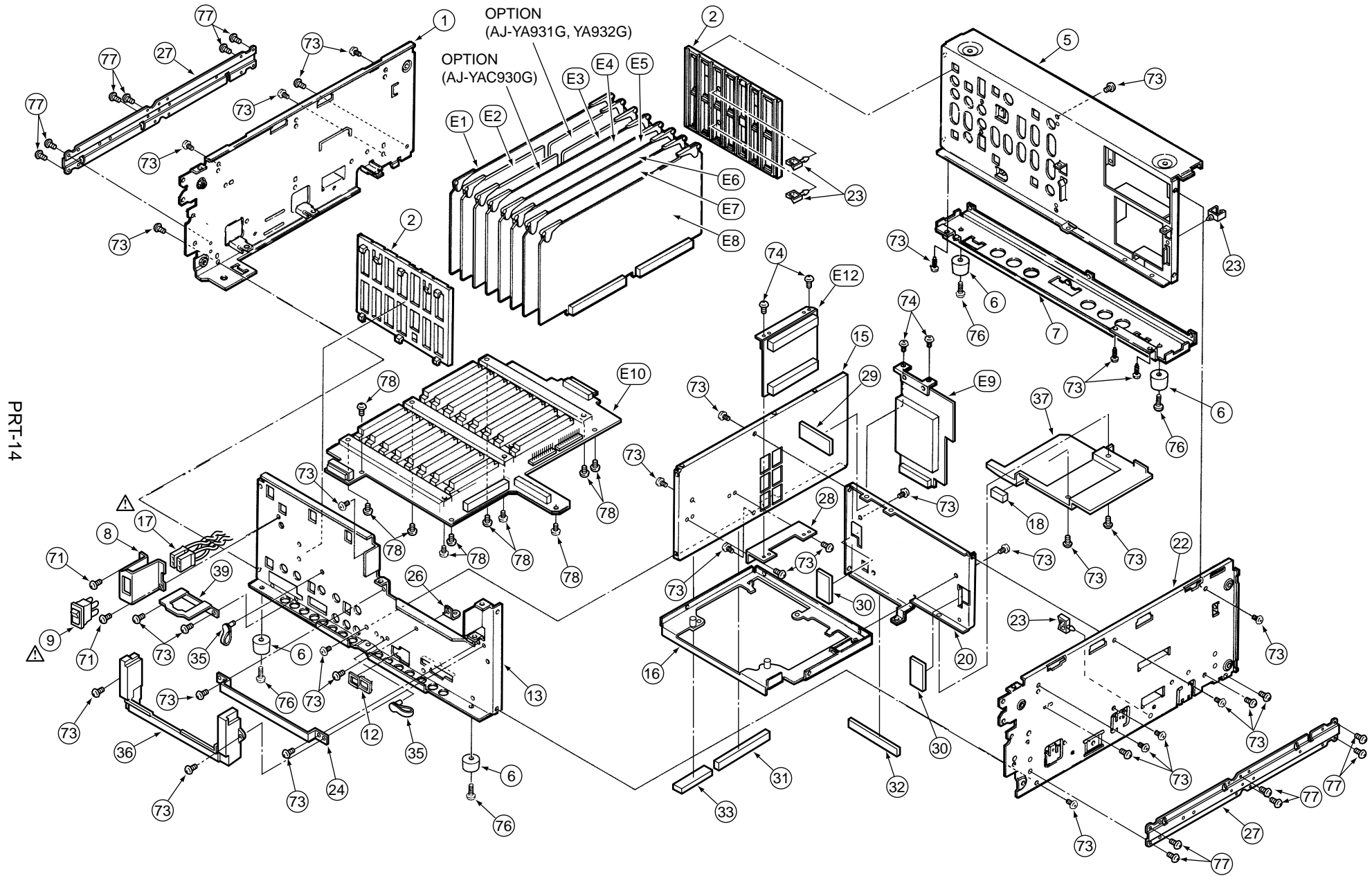
# FRONT PANEL ASSEMBLY





# CHASSIS FRAME ASSEMBLY

Components identified with the mark  have the special characteristics for safety. When replacing any of these components, use only the same type.



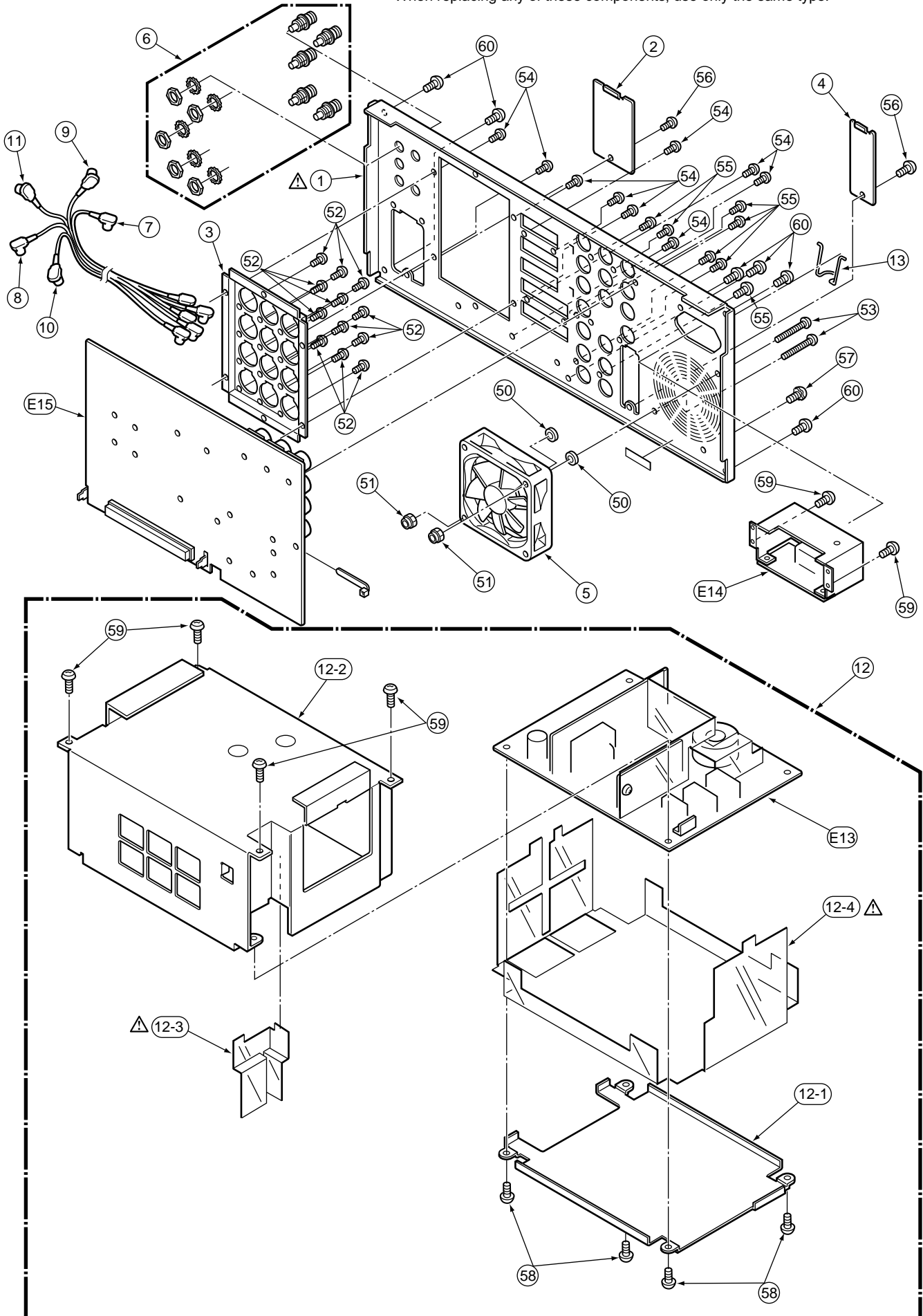
PRT-14





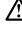
# REAR PANEL ASSEMBLY

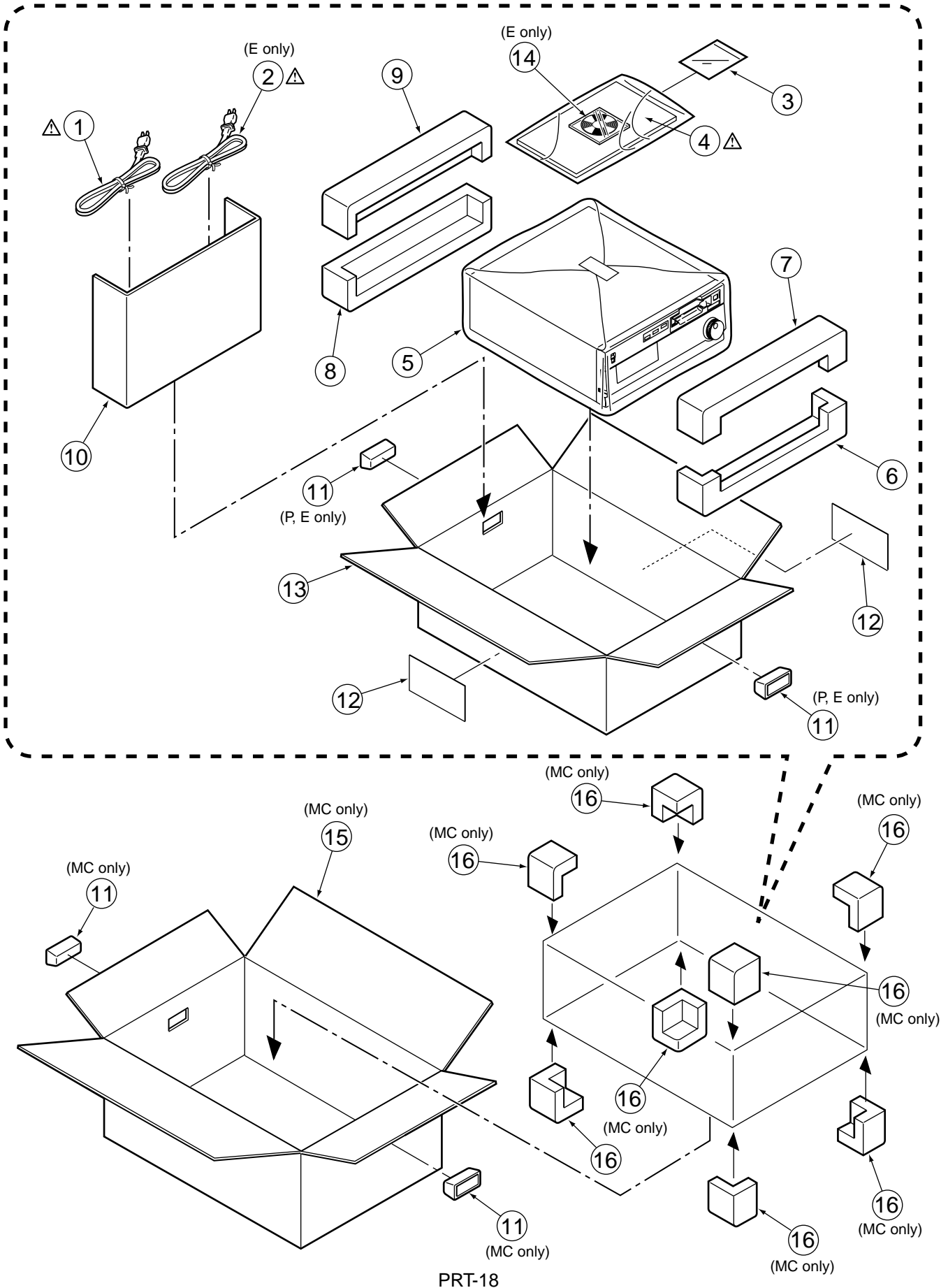
Components identified with the mark  $\triangle$  have the special characteristics for safety. When replacing any of these components, use only the same type.






# PACKING PARTS ASSEMBLY

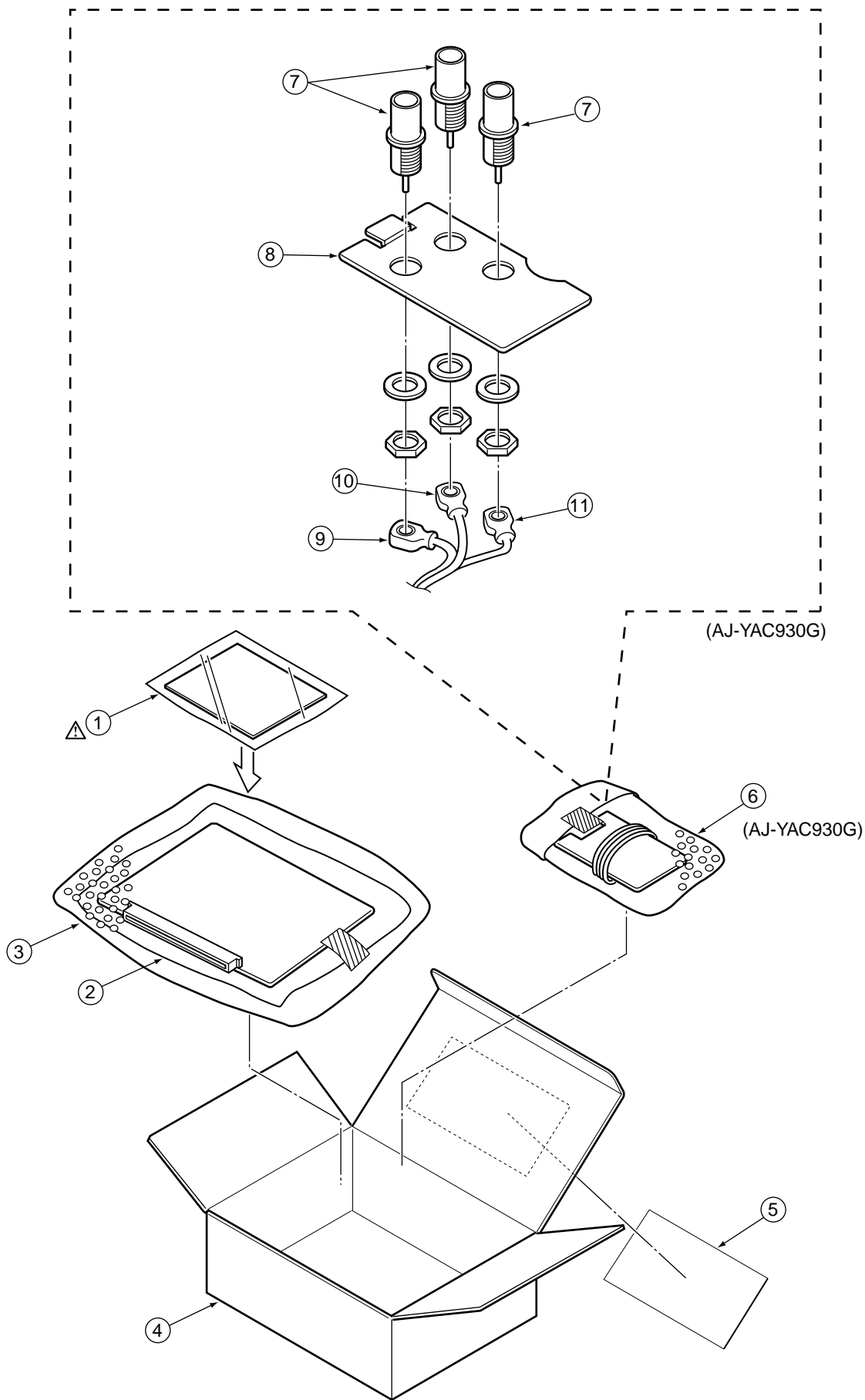
Components identified with the mark  have the special characteristics for safety. When replacing any of these components, use only the same type.





# PACKING PARTS ASSEMBLY (AJ-YA931G, YA932G / AJ-YAC930G)

Components identified with the mark  have the special characteristics for safety. When replacing any of these components, use only the same type.



PRT-20

