

QUARTZ HALOGEN PORTABLE LIGHTS

The quartz halogen portable lighting units are available in Cosmobeams, Mini Broad and Pinza Model. The Cosmobeam 650W, 1000W and 2000W offer the traditional rugged open face design with a durable construction. The Cosmobeam range is focusable and offered with integrated wireguard, barn door and accessory holder for beam control and safety. The fixtures can be outfitted with all of the leading light bank manufacturer's products. The units are sold separately or in portable lighting kits. The Mini Broad 1000W is equipped with an integral barn door and is a powerful flood light. The Pinza work light comes equipped with a flexible arm and gaffer grip and utilizes a medium screw lamp up to 500 watts.

PHOTOMETRIC DATA RC 80

Values measured with 650 W FAD USHIO JPD Lamp - 120V

FEET

TYPICAL DISTANCES 5' 10' 15' 20'

LIGHT CENTER VALUES	Candle Power		FOOTCANDLES		
	SPOT	FLOOD	5'	10'	15'
SPOT	35,190	1,408	352	156	88
FLOOD	7,020	281	70	31	18

F.C. at any distance = CANDLE POWER : [Distance (in ft)]²

BEAM ANGLE (50% OF CENTER VALUE)	BEAM DIAMETER in feet			
	SPOT	FLOOD	5'	10'
SPOT	22.5°	2.0	4.0	6.0
FLOOD	52.5°	4.9	9.9	14.8

PHOTOMETRIC DATA RC 100

Values measured with 1000 W 13704R Philips Lamp - 220 V

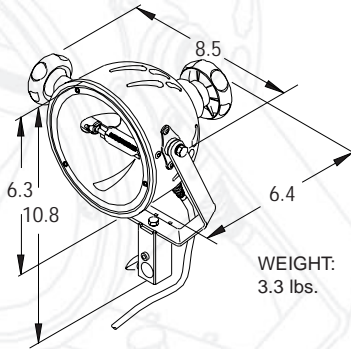
FEET

TYPICAL DISTANCES 5' 10' 15' 20'

LIGHT CENTER VALUES	Candle Power		FOOTCANDLES		
	SPOT	FLOOD	5'	10'	15'
SPOT	34,470	1,379	345	153	86
FLOOD	10,710	428	107	48	27

F.C. at any distance = CANDLE POWER : [Distance (in ft)]²

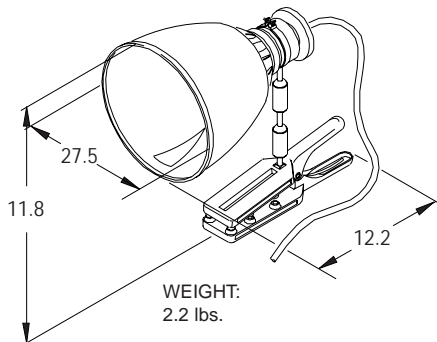
BEAM ANGLE (50% OF CENTER VALUE)	BEAM DIAMETER in feet			
	SPOT	FLOOD	5'	10'
SPOT	31.5°	2.8	5.6	8.5
FLOOD	61.5°	5.9	11.9	17.8



Mod. RC 80-650W
Mod. RC 100-1000W



Mod. RC 100-1000W
With Gaffer Grip



Mod. RC 50-Pinza
With Gaffer Grip