



H A Harman International Company

C 680 BL

Table Microphone

Description

Cost efficient unidirectional on table boundary layer microphone for conference tables, lecterns and places of worship. The transducer shock mount effectively reduces impact noise pick up. The supplied strip of special adhesive tape allows to fix the microphone temporarily without staining the table or leaving any residue after removal. The connector is 3-Pin XLR.

Specifications

Transducer Principle:	condenser prepolarized
Frequency Range:	60–20,000 Hz
Polar Pattern:	hypercardioid
Sensitivity at 1,000 Hz:	23 mV/Pa (-32 dBV)
Equivalent Noise Level:	< 26 dB-A
Sound Pressure Level for 1 % THD:	115 dB
S/N Ratio (A-weighted):	> 68 dB
Electr. Impedance:	< 200 ohms
Load Impedance:	> 2000 ohms
Power Requirement:	9–52 volts phantom powering
Connector:	3-Pin XLR type
Cable Length:	3 m (10 ft.)
Finish:	non reflective black
Size:	97 x 67 x 20 mm (3.8 x 2.6 x 0.8 in.)
Net/Shipping Weight:	100 g/284 g (3.5/10 oz.)
Special Features/Applications:	on table speech microphone
Included Accessories:	phantom power adapter, adhesive tape
Optional Accessories:	B 18 battery power supply N 62 E, N 66 E AC power supplies

Features

- Small & inconspicuous
- Shock mounted transducer
- Unidirectional pickup
- Repaintable

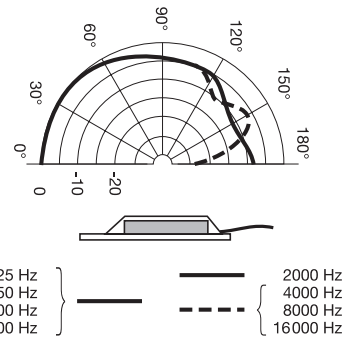
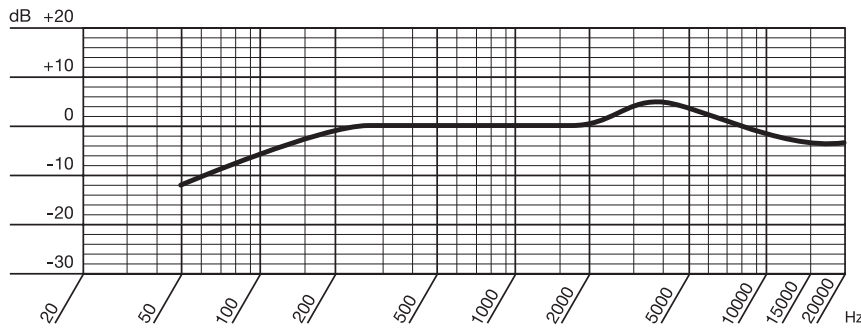


Architect's and Engineer's Specifications

The microphone shall be a cost efficient unidirectional on table boundary layer microphone for conference tables, lecterns and places of worship. The transducer shock mount effectively shall reduce impact noise pick up. The supplied strip of special adhesive tape shall allow to fix the microphone temporarily without staining the table or leaving

any residue after removal. The connector shall be a 3-Pin XLR. Supply voltage shall be 9 to 52 Volts.
 Colour: Non reflective black.
 The microphone shall be an AKG Acoustics C 680 BL.

Graphical Data



AKG is constantly improving and modifying it's products, therefore, specifications are subject to change without notice.

Limited Warranty

Valid only in the United States. AKG Acoustics warrants AKG products against defects in material or workmanship for a period of one year from the date of original purchase for use, and agrees to repair or, at our option, replace any defective unit without charge for either parts or labor. Important: This warranty does not cover damage resulting from accident, misuse or abuse, lack of reasonable care, the affixing of any attachment not provided with the product, loss of parts or connecting the product to any but the specified receptacles. This warranty is void unless service or repairs are performed by an authorized service center.

No responsibility is assumed for any special, incidental or consequential damages. However, the limitation of any right or remedy shall not be effective where such is prohibited or restricted by law. Simply take or ship you AKG product prepaid to our service department. Be sure to include your sales slip as proof of purchase date. (We will not repair transit damage under the no-charge terms of this warranty.) Note: No other warranty, written or oral is authorized by AKG Acoustics, Inc. This warranty gives you specific legal rights, and you may also have other rights which vary from state to state. Some states do not allow the exclusion or limitation of incidental or consequential damages or limitation on how long an implied warranty lasts, so the above exclusions and limitation may not apply to you.

Microphones · Headphones · Wireless Microphones · Wireless Headphones · Headsets · Electroacoustical Components



H A Harman International Company

AKG Acoustics GmbH
 Lemböckgasse 21-25, P.O.B. 158, A-1230 Vienna/AUSTRIA
 Tel: (43 1) 86 654-0*, Fax: (43 1) 86 654-516
 Internet: <http://www.ake-acoustics.com>

AKG Acoustics; A Division of Harman Pro Germany
 Bodenseestraße 228, D-81243 München/GERMANY
 Tel: (089) 87 16-0, Fax: (089) 87 16-200

Arbiter Pro Audio
 Wilberforce Road, London NW9 6AX/ENGLAND
 Tel: (0181) 202 1199, Fax: (0181) 202 7076

AKG ACOUSTICS, U.S.
 1449 Donelson Pike, Airpark Business Centre 12,
 Nashville, TN 37217, U.S.A.
 Tel: (615) 360-0499, Fax: (615) 360-0275

Studer Japan Ltd.
 2-43-7, Uehara, Shibuya-ku, Tokyo 151-0064/JAPAN
 Tel: (813) 3465-2211, Fax: (813) 3465-2214

Erikson Pro Audio
 620 McCaffrey, St-Laurent, Quebec, H4T 1N1, CANADA
 Tel: (514) 738-3000, Fax: (514) 737-5069
 Internet: www.jam-ind.com/eriksonpro